

ISO 9001:2008
CERTIFIED COMPANY



SPX



SPT

FEATURES

- Accurate at low flows
- Simple and durable
- Compatible with a variety of chemicals
- Visual flow monitoring (SPX Only)

APPLICATIONS

- Low flow monitoring
- Chemical batching
- Proportional chemical injection
- Fertilizer injection

GENERAL INFORMATION

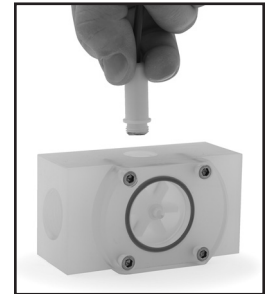
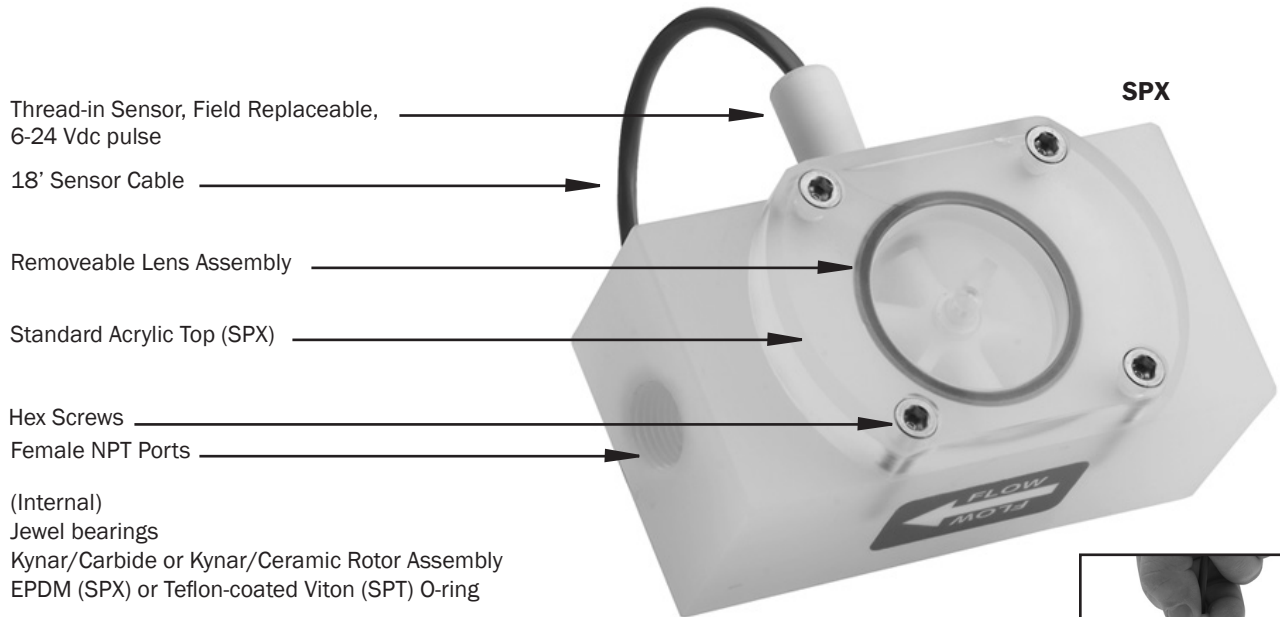
These versatile impeller flowmeters are available in 3/8", 1/2", 3/4", and 1" nominal pipe sizes with female NPT threads. They employ jewel bearings to allow for very low minimum flow rates and superior life.

With a body material of polypropylene, the **SPX** is an economical choice for metering water or low corrosion fluids. The lens cover is available in a choice of materials: acrylic for visual flow indication of low-corrosion fluids; polypropylene when more corrosion resistance is needed. The standard rotor assembly is Kynar with tungsten carbide shaft. The O-ring is EPDM.

The **SPT** offers greater chemical resistance with a Teflon body and cover, Teflon-coated Viton O-ring, and standard Kynar/ceramic rotor assembly.

The pulse output of these meters is compatible with many different types of controls, including a full range of Seametrics rate displays and controls. The Seametrics FT420 provides flow rate and total flow indication, with 4-20 mA output capability. The FT415 is a battery-operated rate & total display. For metering pump pacing or interfacing with lowspeed counters, the PD10 pulse divider is recommended. The A055 may be used for blind 4-20mA transmission.

FEATURES



FIELD REPLACEMENT
OF SENSOR

SPECIFICATIONS*

	SPX	SPT
Connection Ports	3/8", 1/2", 3/4", 1", Female NPT thread	3/8", 1/2", 3/4", 1", Female NPT thread
Sensor Cable	18 feet standard (Maximum cable run 2000 ft.)	18 feet standard (Maximum cable run 2000 ft.)
Materials	Body	Polypropylene
	Rotor	PVDF (Kynar)
	Shaft	Nickel tungsten carbide
	O-Ring	EPDM
	Bearings	Ruby ring and ball
	Cover	Acrylic
Maximum Temperature	160° F (70° C)	180° F (82° C)
Maximum Pressure	150 PSI (10 bar)	150 PSI (10 bar)
Accuracy	±1% of full scale	±1% of full scale
Power	5-24 Vdc, 2 mA min	5-24 Vdc, 2 mA min
Outputs	Current sinking pulse, 6-24 Vdc	Current sinking pulse, 6-24 Vdc

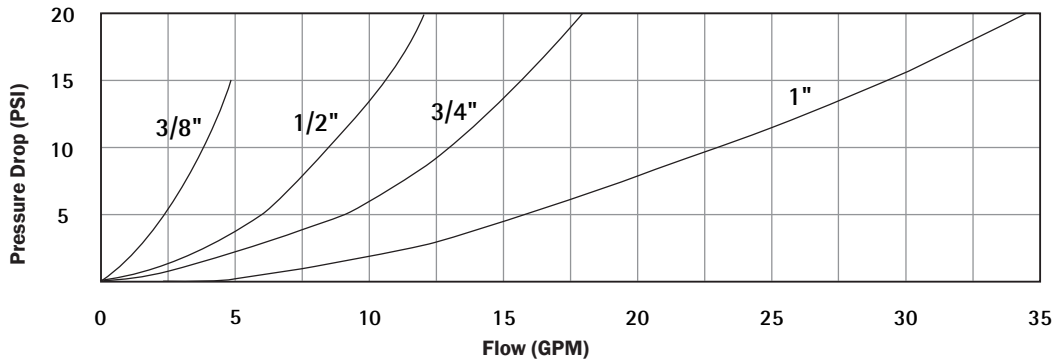
*Specifications subject to change • Please consult our website for current data (www.seametrics.com).

FLOW RANGE

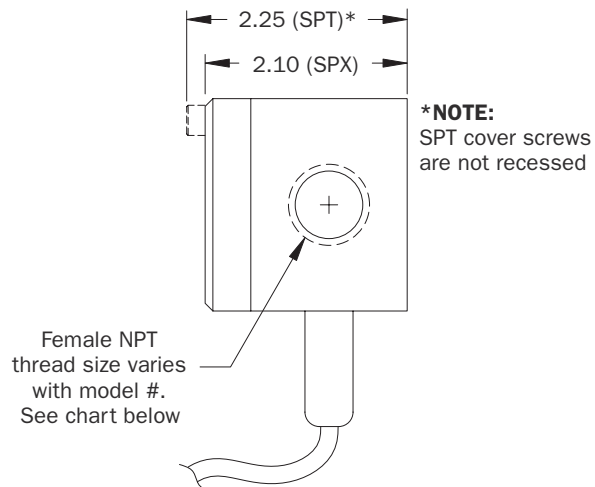
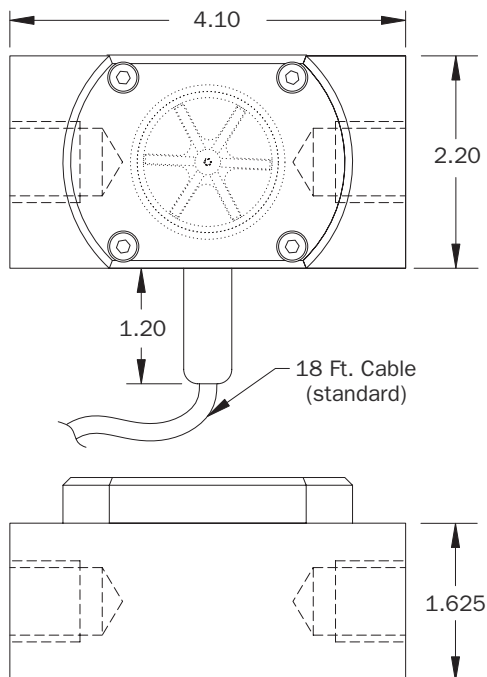
Model #	*K-Factor (pulses/Gal)		Gal/Min	Liter/Min
	SPT	SPX		
-038	1394	1417	0.07-5	0.27-18.9
-050	634	658	0.1-10	0.38-37.9
-075	476	468	0.2-20	0.75-75
-100	250	254	0.5-40	1.9-150

*Nominal K-factors (based on averages) for standard 2-magnet SPT and SPX.
High resolution (6-magnet) K-factors are approximately tripled.

PRESSURE DROP CURVES



DIMENSIONS



Female NPT thread size varies with model #.
See chart below

Model #	NPT Thread Size
-038	3/8"
-050	1/2"
-075	3/4"
-100	1"

HOW TO ORDER

MODEL

Polypro/Acrylic = **SPX**

TFE Teflon = **SPT**

SIZE

3/8" (0.07-5 GPM) = **-038**

1/2" (0.1-10 GPM) = **-050**

3/4" (0.2-20 GPM) = **-075**

1" (0.5-40 GPM) = **-100**

OPTIONS

Ceramic shaft (SPX) = **-01**

Micropower pickup (use with FT415 or DL76 only) = **-04**

Standard Power, LMI 4-pin Connector = **-06**

Standard Power, Seametrics Control Connector = **-07**

Polypro cover (SPX) = **-12**

High resolution rotor = **-13**

Teflon-coated Viton O-ring (SPX) = **-25**

Viton O-ring (SPX, SPT) = **-60**

Silicon carbide shaft = **-68**

EPDM O-ring (SPT) = **-69**

SAE Threads = **-70**

Roytronics® Series A Pump 5-pin Connector = **-106**

BSP Threads = **-116**

ACCESSORIES

Rate and Total Indicator, DC powered = **FT420**

Rate and Total Indicator, Battery powered = **FT415**

Blind Analog Transmitter (4 to 20 mA) = **AO55**

Batch Flow Processor = **FT520**

Data Logger = **DL76**

Plug-in Power Converter, 100-115 Vac, 24 Vdc = **PC3**

DIN or Wall Mount Power Converter, 100-115 Vac, 24 Vdc = **PC12**

SUPPLIER CONTACT INFORMATION